

# ZBD7920PSS

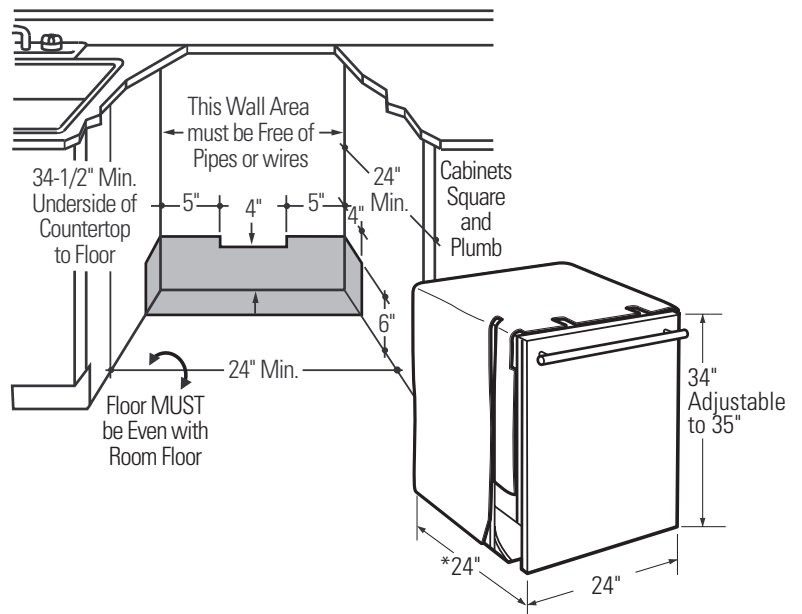
## GE Monogram® Fully Integrated Built-In Dishwasher

### Dimensions and Specifications (in inches)

- The dishwasher must be installed so that the drain hose is no more than 10 feet in length for proper drainage.
- Water and power supply should enter in the shaded area.
- Electrical and water connections are at the right front of the dishwasher. The hot water line should extend forward 30" to 40" from the rear wall. The electrical must extend forward at least 24" to reach the junction box.
- To prevent siphoning, an air gap must be used when the waste tee or disposer connection is less than 18" above the floor.

### Electrical Requirements

The dishwasher must be supplied with 120V, 60Hz, and connected to an individual properly grounded branch circuit protected by a 15- or 20-amp circuit breaker or time-delay fuse.



For answers to your Monogram®, GE Profile™ or GE® appliance questions, visit our website at [ge.com](http://ge.com) or call GE Answer Center® service, 800.626.2000.

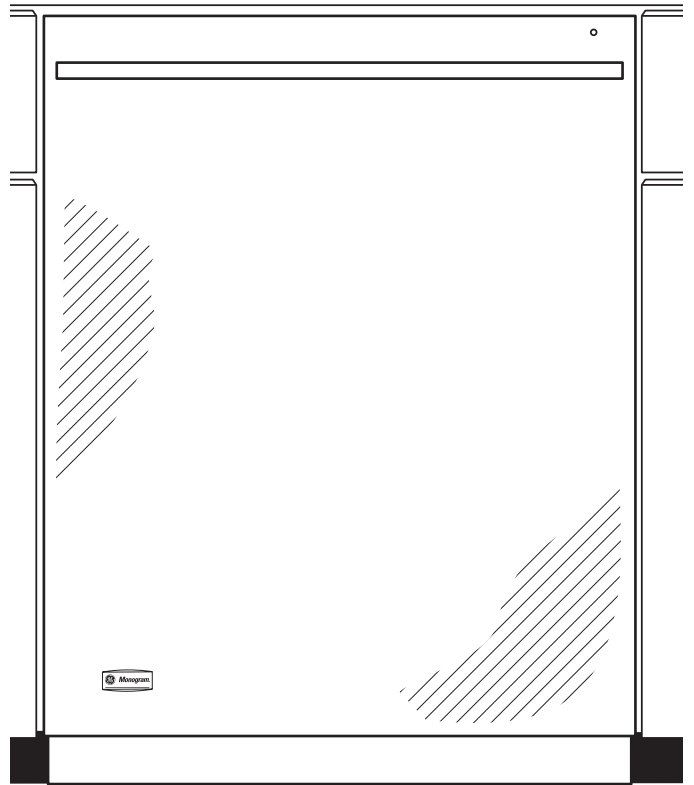


# ZBD7920PSS

## GE Monogram® Fully Integrated Built-In Dishwasher

### Features and Benefits

- Hidden, integrated electronic controls maintain the overall clean appearance of the exterior.
- Generously sized interior provides the space and loading flexibility necessary to accommodate 16 place settings.
- High-intensity Xenon lights illuminate the entire interior, leaving no question as to whether or not dishes have been cleaned.
- Quiet operation (48 dBA) is made possible by advanced sound-absorbing materials and a smooth-running motor.
- As an ENERGY STAR® partner, GE has determined that all Monogram full-size dishwashers meet the ENERGY STAR guidelines for energy efficiency and water conservation.
- Stainless steel tub retains its attractive shine cycle after cycle, year after year.
- Adjustable upper rack with fold-down tines allows stacking of dishes and is designed to easily move up, down and diagonally to maximize loading flexibility.
- Versatile lower rack with fold-down tines easily accommodates bowls and large dishes.
- Pearlescent gray, ball-tipped nylon-coated racks have an elegant silver-gray finish that complements the stainless steel interior.
- Extraclean turbidity sensor continually monitors the amount of soil on dishes and makes the necessary wash-cycle adjustments for an exceptional clean.
- Model ZBD7920PSS – Stainless steel



imagination at work